

SECO DC 0025/0040 C

Dry-running rotary vane vacuum pumps/compressors



VACUUM SOLUTIONS



Compact

Direct-drive construction, including vacuum and pressure regulation valves

Reliable

Robust construction, proven performance, self-lubricating vanes, no operating fluids, specially designed for the printing industry

High performance

High performance Aerodur 274 Zirkon vanes, extended lifetime, extremely resistant to wear and humidity

Accessories

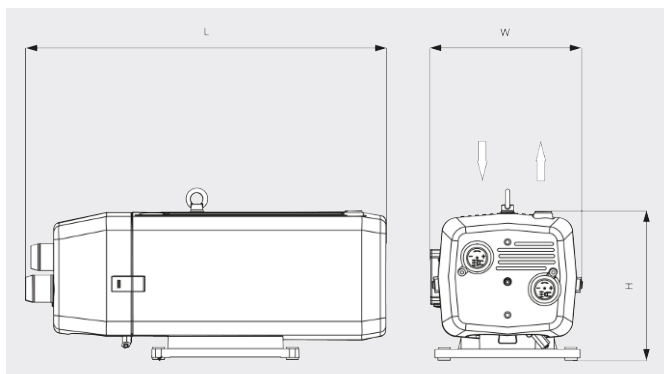
- Inlet filter
- Hose nipple

SECO DC 0025/0040 C

Dry-running rotary vane vacuum pumps/compressors



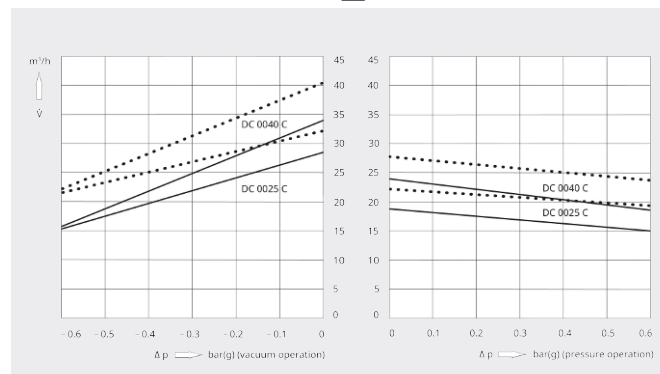
Dimensional drawing



Pumping speed / Volume flow

Air at 20°C. Tolerance: ± 10%

— 50 Hz 60 Hz



	SECO DC 0025 C	SECO DC 0040 C
Pumping speed / Volume flow	25 / 30 m³/h (50 / 60 Hz)	40 / 48 m³/h (50 / 60 Hz)
Vacuum	-0.6 bar(g) (50 / 60 Hz)	-0.6 bar(g) (50 / 60 Hz)
Overpressure	+0.6 bar(g) (50 / 60 Hz)	+0.6 bar(g) (50 / 60 Hz)
Nominal motor rating	1.1 kW (50 / 60 Hz)	1.5 kW (50 / 60 Hz)
Nominal motor speed	1500 / 1800 min ⁻¹ (50 / 60 Hz)	1500 / 1800 min ⁻¹ (50 / 60 Hz)
Noise level (ISO 2151)	66 / 67 dB(A) (50 / 60 Hz)	67 / 68 dB(A) (50 / 60 Hz)
Blast air temperature	55 / 61 °C	73 / 76 °C
Weight approx.	33 kg	40 kg
Dimensions (L x W x H)	542 x 251 x 246 mm	592 x 251 x 246 mm
Gas inlet / outlet	G ¾" / G ¾"	G ¾" / G ¾"

DO YOU WANT TO KNOW MORE?

Get in touch with us directly!
sales@buschindia.com or +91 (0)124 475 1300



CONTACT FORM



CALL NOW